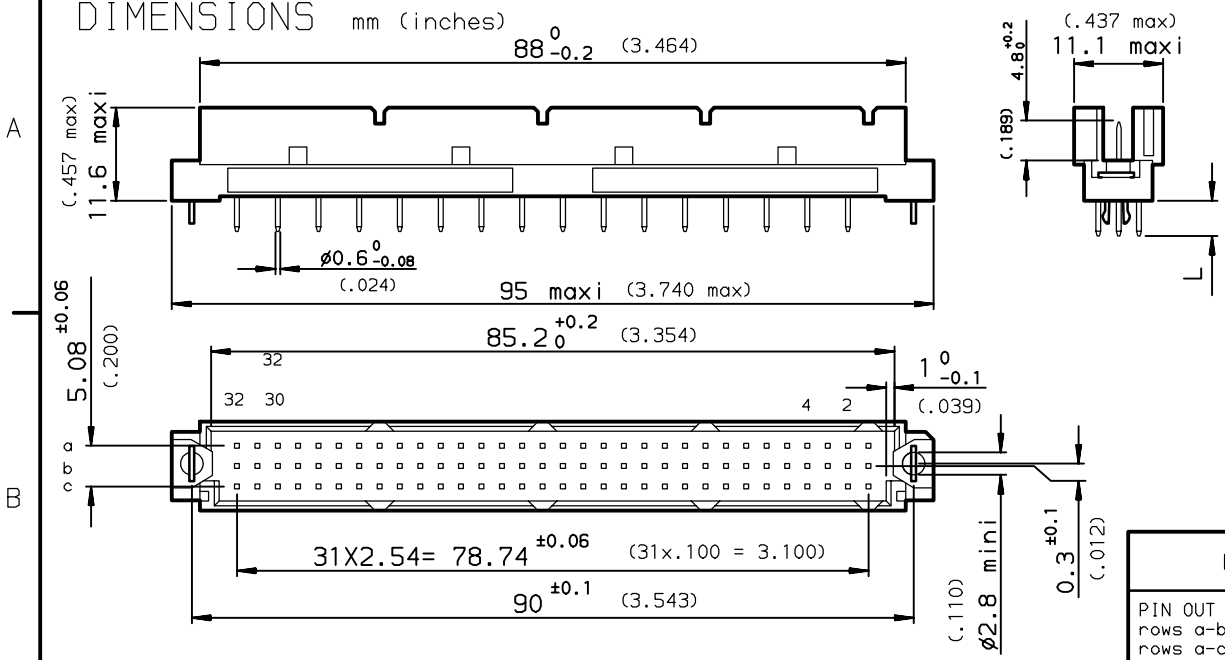
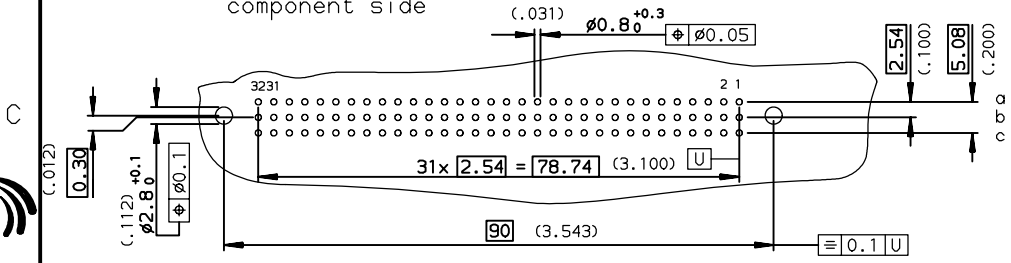


DIMENSIONS mm (inches)



PCB DRILLING component side



PART NUMBER	8609			78				8	
PIN OUT	rows a-b-c	---	---	3	---	---	---	48	
	rows a-c	---	---	4	---	---	---	32	
NUMBER OF CONTACTS									
TERMINATION	L = 2.70 ±0.25 (.106)	---	---	---	---	---	---	24	
	L = 4.65 ±0.25 (.183)	---	---	---	---	---	---	14	
OPTIONS	no option	---	---	---	---	---	---	7	
	with harpoons	---	---	---	---	---	---	H	
		---	---	---	---	---	---	A	
		---	---	---	---	---	---	R	
PERFORMANCE CLASS	DIN 41612 class 3	---	---	---	---	---	---	4	
	DIN 41612 class 2	---	---	---	---	---	---	5	
	DIN 41612 class 1	---	---	---	---	---	---	6	
TERMINATION TYPE	TIN LEAD	---	---	---	---	---	---	---	000E1
	LEAD FREE	---	---	---	---	---	---	---	E1LF



Copyright FCI.

European Views

www.fciconnect.com		surface	tolerance std	projection	mm	
		ISO 1302	ISO 406 ISO 1101			
TOLERANCES UNLESS OTHERWISE SPECIFIED						
Dr	ROUILLARD	1997/10/27	ANGULAR	0.X	±0.1	size A3
Eng	TARON	1997/10/27	LINEAR	0.XX	±0.1	Scale 1.5
Chr	LEGARE	1997/10/27	0.XX' ±2'	0.XXX	±0.1	ECN L506-0095
Appr	LEGARE	1997/10/27	Product family	DIN 8609		Spec ref -
FCI		STRAIGHT MALE - STYLE R			Rev. C	
title		SOLDER TO BOARD			C-8609-0641	
catalog no		-			CUSTOMER sheet 1 of 1	

rev	ecn no	dr	date
A	-	-	1997/10/27
B	L505-001	JTA	2005/03/01
C	L506-0095	LGO	2006/06/22
-	-	-	-
-	-	-	-
-	-	-	-

GENERAL CHARACTERISTICS AND ROHS INFORMATIONS:
SEE DRAWING C-8609-0000A